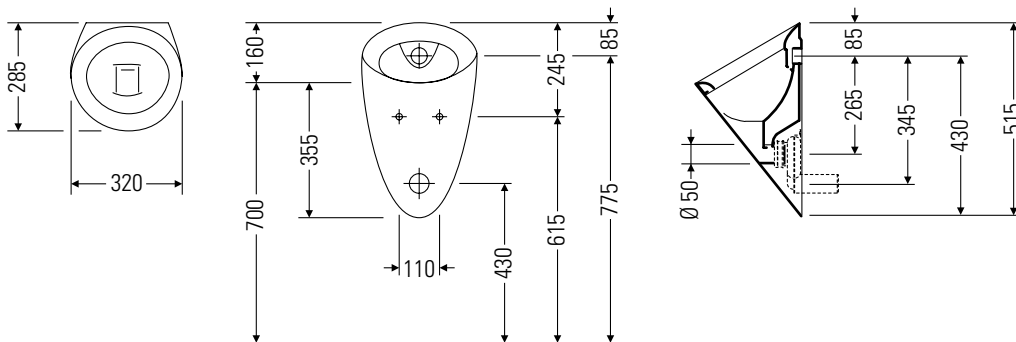


Starck 1

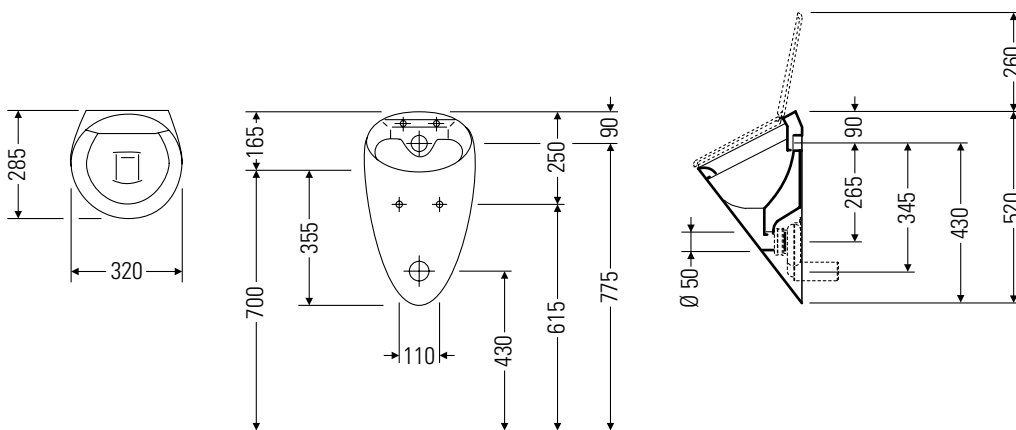
| | |
|----------------------------------|-----------|
| Montageanleitung | Urinal |
| Mounting instructions | Urinal |
| Notice de montage | Urinoir |
| Montagehandleiding | Urinoir |
| Instrucciones de montaje | Urinario |
| Istruzioni di montaggio | Orinatoio |
| Instruções de montagem | Urinol |
| Monteringsvejledning | Urinal |
| Asennusohje | Urinaali |
| Monteringsanvisning | Urinal |
| Monteringsanvisning | Urinoar |
| Paigaldusjuhend | Pissuaar |
| Instrukcja montażu | Pisuar |
| Инструкция по монтажу | Писсуар |
| Montážní návod | Urínál |
| Návod na montáž | Pisoár |
| Szerelési útmutató | Piszoár |
| Upute za montažu | Pisoar |
| Instrucțiuni de instalare | Urinal |
| Navodila za montažo | Pisoar |
| Ръководство за монтаж | Писоар |
| Montāžas instrukcija | Pisuārs |
| Montavimo instrukcija | Pisuaras |
| Montaj kılavuzu | Pisuar |
| 安装说明 | 小便器 |
| 설치 설명서 | 소변기 |
| 取り付け説明書 | 小便器 |
| دليل التركيب | مبولة |

083432..00, # 083432..07, # 083432..92

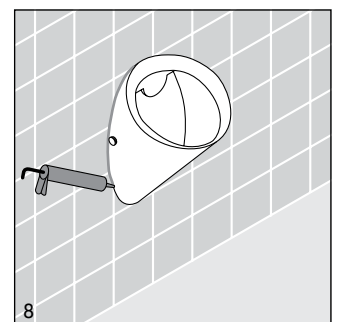
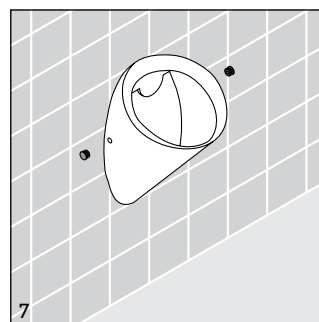
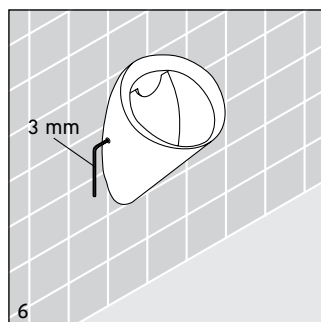
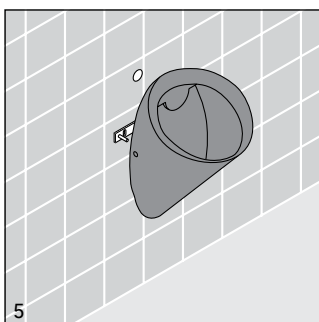
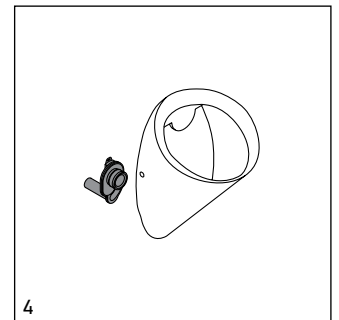
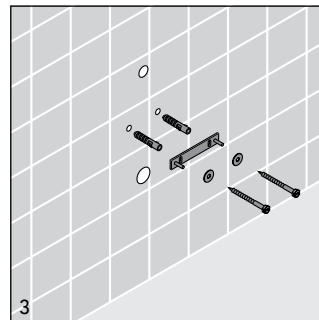
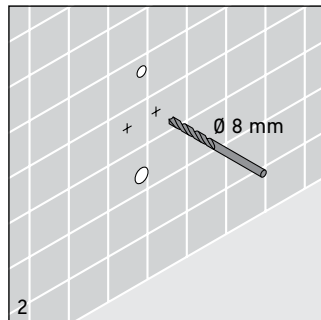
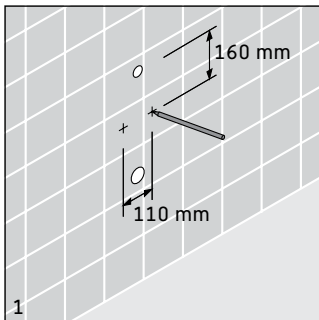
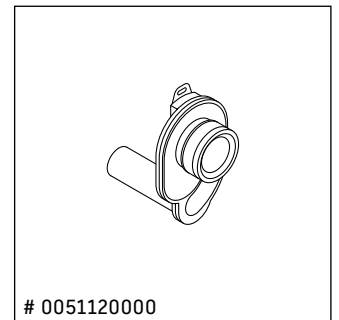
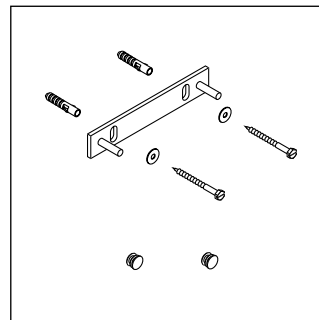
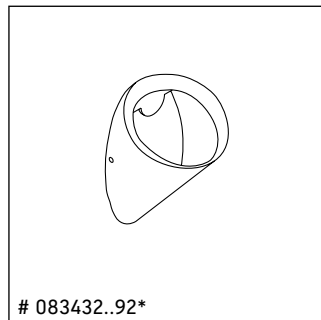
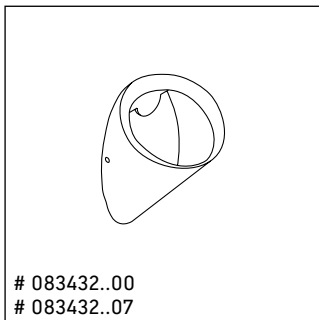
083532..00, # 083532..07, # 083532..92



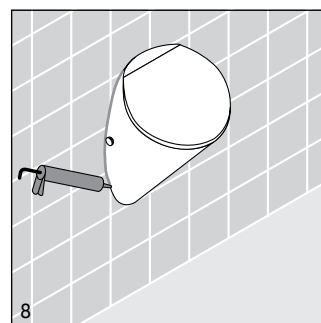
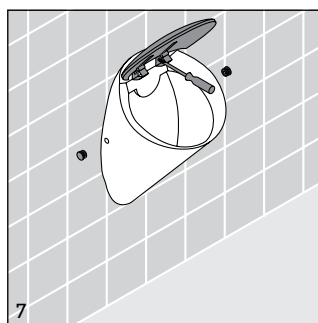
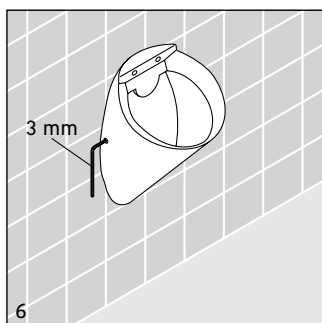
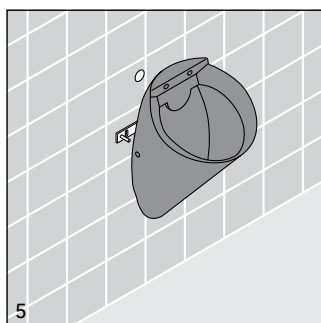
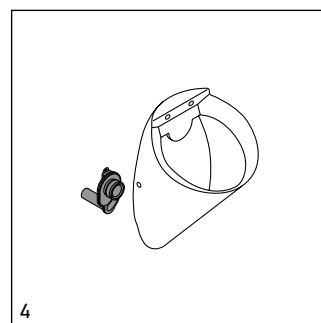
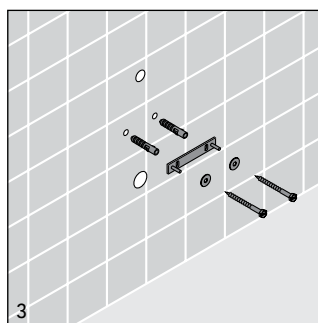
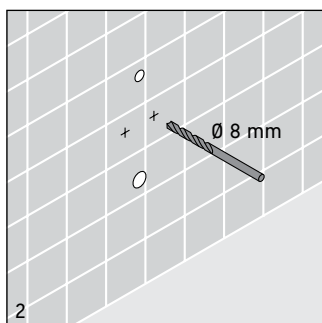
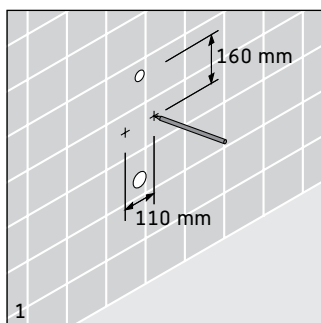
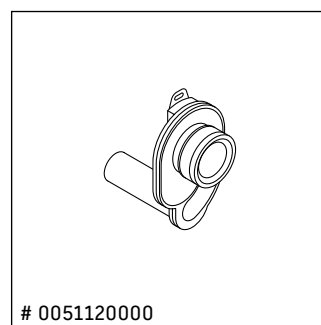
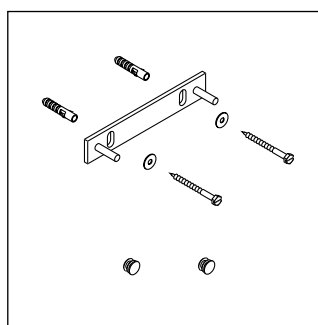
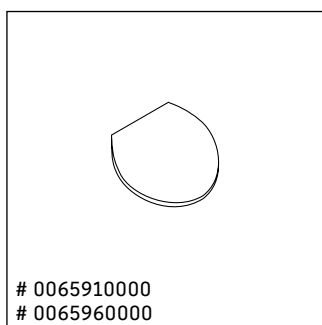
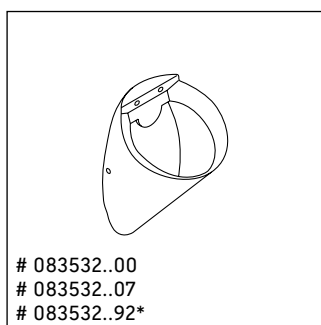
083432..00 / # 083432..07 / # 083432..92



083532..00 / # 083532..07 / # 083532..92



*to be installed only with a WaterSense labeled flush valve with the same flush rating



*to be installed only with a WaterSense labeled flush valve with the same flush rating